

PART NAME

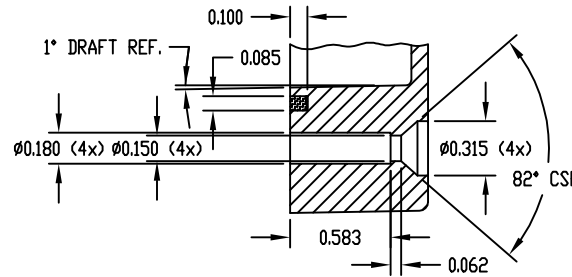
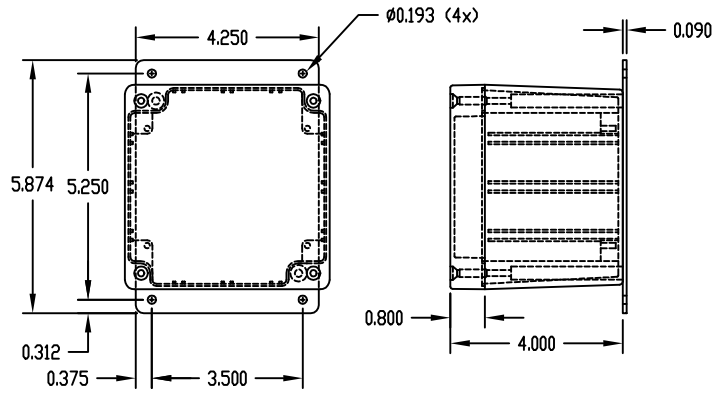
NEMA 4X DIE CAST ALUMINUM ENCLOSURE

PART No.

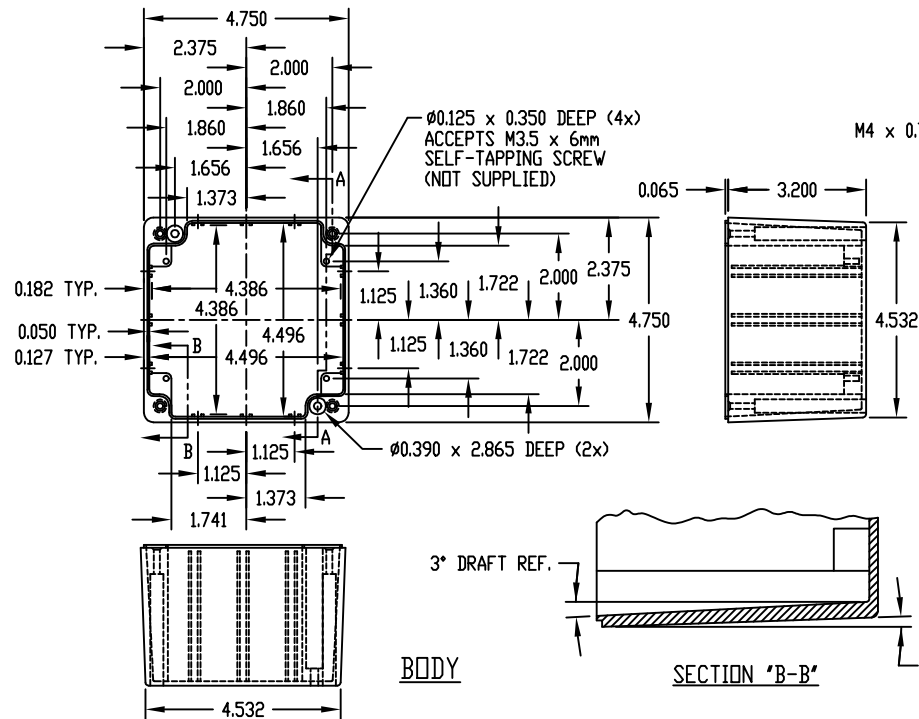
AN-1309, AN-1309-G, AN-2809 & AN-2809-B

REV. DATE

12-17-08

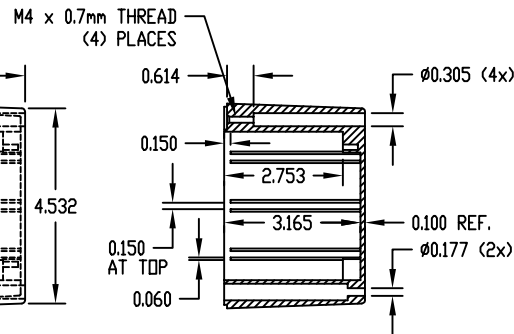


DETAIL 'D'

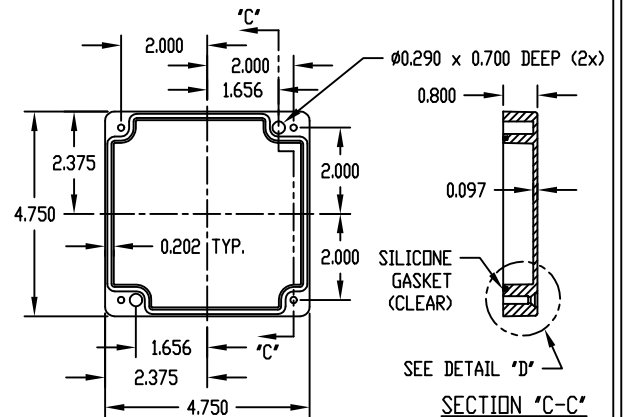


BODY

SECTION 'B-B'



SECTION 'A-A'



COVER

SECTION 'C-C'

MATERIAL: ALUMINUM ALLOY #ADC-12

FINISH: NATURAL (NO SUFFIX)
GRAY (SUFFIX -G)
SMOOTH BLACK (SUFFIX -B)

NOTES:

- 1) FOUR (4) M4 x 32mm (1.260") LG. SCREWS SUPPLIED FOR ASSEMBLY OF COVER TO BODY.
- 2) ALL HOLE DIAMETERS HAVE ±0.005 TOLERANCE ALL OTHER DIMENSIONS HAVE ±0.015 TOLERANCE

PART NO. AN-2809 & AN-2809-B ARE SUPPLIED WITH A WELDED ON MOUNTING BRACKET ONLY.